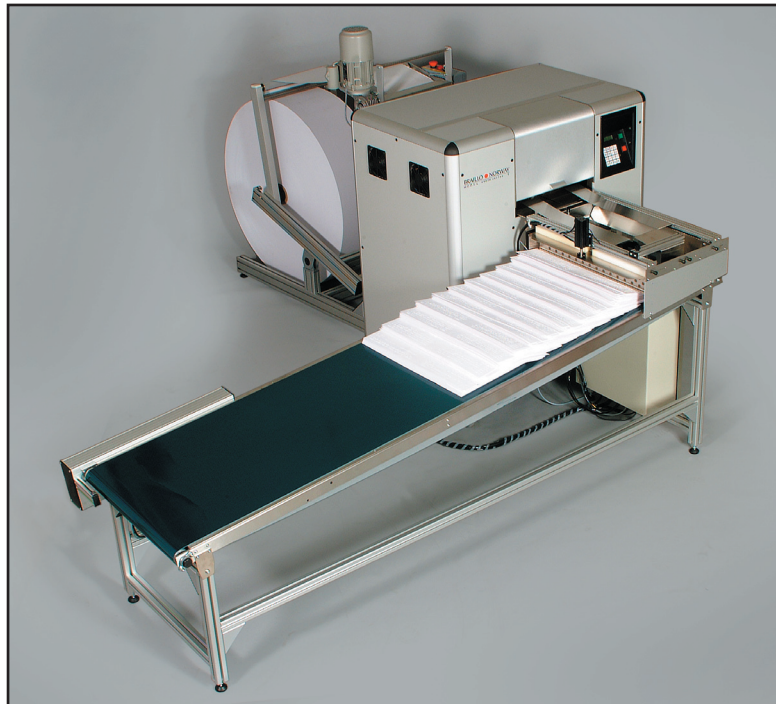


BRAILLO ● 440 SW

Advanced interpoint Braille printer for large volume production

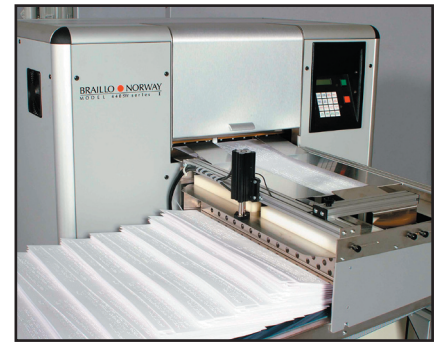


- Rugged construction for large volume production of Braille.
- Built-in Paper Cutter for 2 or 4 page per sheet format.
- Stacking unit designed for handling large format Braille sheets.
- Modular design, easy to service.
- Uses standard paper rolls up to 1 meter in diameter.
- 2 years warranty on parts.
- Prints simultaneously on both sides of paper.
- High speed, 440 characters per second continuous printing.
- High Braille quality. Each document is an original.
- The printing system is based on Braillo 400 S with more than 15 years of experience.

Technical Specifications Braillo 440 SW

Format:

Line length:	10 - 44 characters
Sheet length:	Max 330 mm (13 inches)
Sheet width:	2 page - 4 page
Page 1:	Up / Down
Printing Mode:	Single / Interpoint
Margins:	Inner/Outer 12,7 - 50,8 mm (0,5 - 2 inches)
Page Length:	Max 30 lines per page
Braille cell:	Standard medium 6 dot
Line spacing:	Fixed 5 mm (0,2 inches)
Paper Weight:	120 - 180 g/m ² , Recommended 150 g/m ²



Stacking unit

Printing Speed: 440 characters per second, no of pages per hour is dependent on page format.

Electrical:

Voltage:	Single phase 230V (+/- 10 %), 50/60Hz
Current:	Approx. 8.5 A max
Fuse Printer:	10 A
Power:	Approx. 2000 W max

Communication with the computer:

Parallel on Centronics (25 pin D-sub female), or
Serial on RS 232 C (25 pin D-sub male).
Both are electrical isolated with opto-couplers
to prevent noise and ground loops.

Parameters for the serial port:

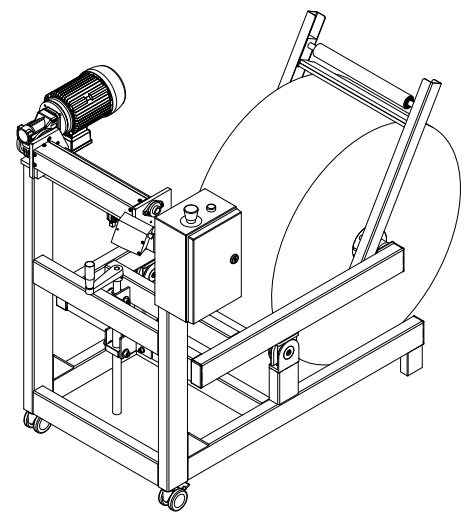
Baud rate:	150 - 19200
Parity:	No / Odd / Even
Data bit:	7 / 8
Stop bit:	1 / 2

Environment:

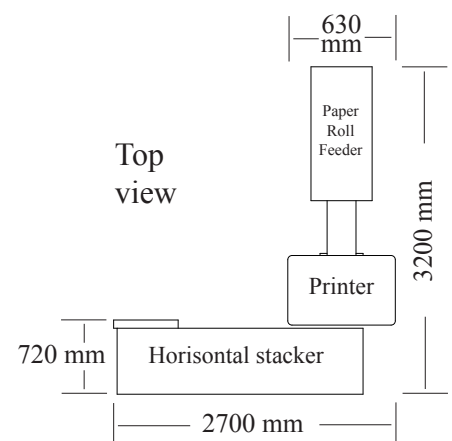
Temperatures:	15 - 30°C (60 - 86°F)
Rel. Humidity:	40 - 60%

Measurements:

Height:	1430 mm
Width:	2700 mm
Length:	3200 mm
Weight:	385 kilos



Paper Roll Feeder



The manufacturer reserves the right to change the specifications without further notice.

Produced and marketed by:

Distributed by:

BRAILLO NORWAY AS

P. O. Box 447

3101 Tønsberg, Norway

Phone: +47 33 00 28 70

Fax: +47 33 00 28 71

E-mail: braillo@braillo.no

Internet: www.braillo.com