

# BRAILLO ● 400 S

---

## Advanced interpoint braille printer for large volume production

---



- Rugged construction for large volume production of braille.
- Low noise.
- Prints both 6 and 8 dot braille.
- Modular design, easy to service.
- Uses standard fanfolded paper in a variety of formats.
- 2 years warranty on parts.
- Prints simultaneously on both sides of paper.
- High speed, 1200 pages per hour continuous printing.
- High braille quality. Each document is an original.
- Thoroughly tested with years of experience by many internationally known users.

## Technical Specifications Braillo 400 S

---

### Format:

Char. per line: 10 - 42 characters  
Sheet length: 4 - 14 inches  
Sheet width: 140 - 330 mm  
Page layout: Normal / Z-fold  
Page 1: Up / Down  
Printing Mode: Single / Interpoint  
Page Length: No form feed / Normal / Normal -1 to -9 lines  
Braille cell: Standard medium 6 or 8 dot  
Line spacing: From 0.3175 to 10.16 mm. Standard is 5.08 mm  
Paper Weight: 120 - 180 g/m<sup>2</sup>, Recommended 150 g/m<sup>2</sup>

**Printing Speed:** 400 characters per second, approx. 1200 printed pages per hour

### Electrical:

Voltage: Single phase 230V (+/- 10 %), 50/60Hz  
Current: Approx. 4 A max  
Fuse Printer: 10 A  
Power: Approx. 1000 W max

### Communication with the computer:

Parallel on Centronics (25 pin D-sub female), or  
Serial on RS 232 C (25 pin D-sub male).  
Both are electrical isolated with opto-couplers  
to prevent noise and ground loops.

### Parameters for the serial port:

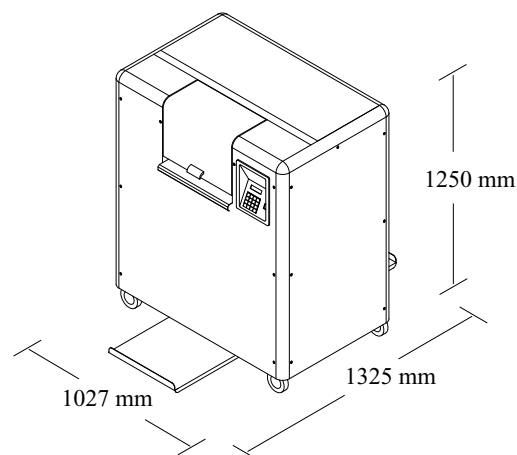
Baud rate: 150 - 19200  
Parity: No / Odd / Even  
Data bit: 7 / 8  
Stop bit: 1 / 2

### Environment:

Temperatures: 15 - 30°C (60 - 86°F)  
Rel. Humidity: 40 - 60%

### Measurements:

Height: 1250 mm  
Width: 1027 mm  
Length: 1325 mm  
Weight: 195 kilos



The manufacturer reserves the right to change the specifications without further notice.

---

**Produced and marketed by:**

**Distributed by:**

**BRAILLO NORWAY AS**

P. O. Box 447

3101 Tønsberg, Norway

**Phone:** +47 33 00 28 70

**Fax:** +47 33 00 28 71

**E-mail:** [braillo@braillo.no](mailto:braillo@braillo.no)

**Internet:** [www.braillo.com](http://www.braillo.com)

---